

Drawing



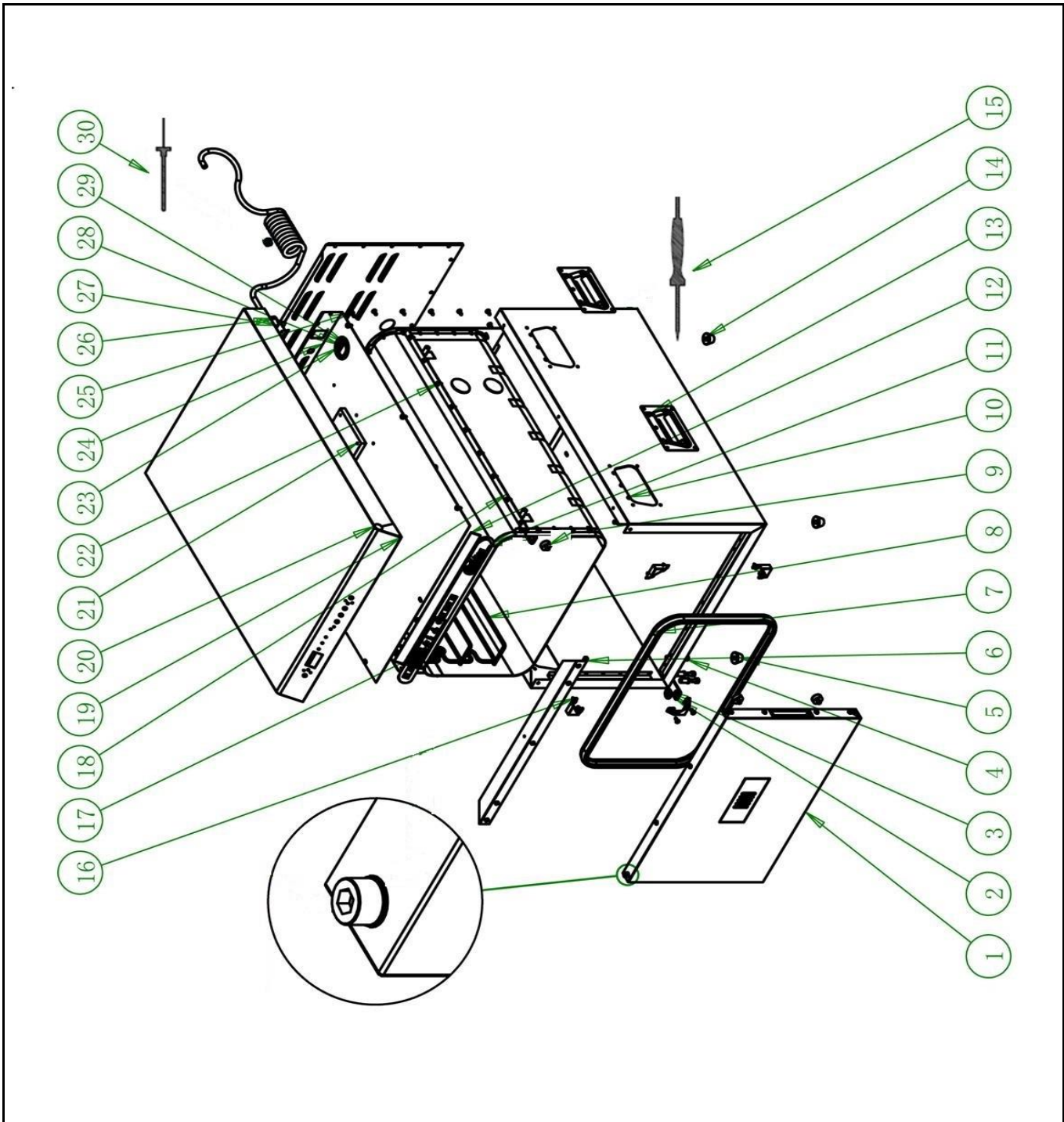
Hendi B.V.
 Steenoven 21
 3911 TX Rhenen
 The Netherlands

Batch #
 0000000


Appliance part#
 225479

Description
 Low temperature oven

Date	03-07-2015	Revision #	Revision version
Revision	First bill of materials (BOM)		



Bill of materials (BOM)

 <p>Hendi B.V. Steenoven 21 3911 TX Rhenen The Netherlands</p>	Batch #	Appliance part#
	0000000	225479
	Description	
Low temperature oven		


Date	03-07-2015	Revision #	Revision version
Revision	First bill of materials (BOM)		

Item	Description	Part#	Quantity	Remark	Picture
1	Door complete	932636	1		
2	Bottom hinge	n/a	1		
3	Spacer brass	934715	2		
4	Screw	n/a	8		
5	Feet	934722	4		
6	Bracket	n/a	1		
7	Door gasket	934739	1		
8	Lateral support left/right	934746	2		
9	Bolt lateral support	934807	4		
10	Outer housing	n/a	1		
11	Display sticker	931486	1		
12	Display pcb	934760	1		
13	Handle	934777	4		
14	Socket-head screw	n/a	4		
15	Probe	934791	1		
16	Bracket	n/a	2		
17	Screw 4,2 x 12	n/a	28		
18	Element 1200W	n/a	1		
19	Top cover	n/a	1		
20	Cap	n/a	2		
21	Main PCB	934784	1		
22	Bracket	n/a	2		
23	Gasket	n/a	1		
24	Bracket	n/a	1		
25	Screw 4,2 x 12	n/a	23		
26	Power cord	202289	1		
26a	Power cord reatainer	931066	1	Not shown on exploded view	
27	Bracket	n/a	1		
28	Back cover	n/a	1		
29	Switch	205426	1		
30	Probe oven chamber	934814	1		

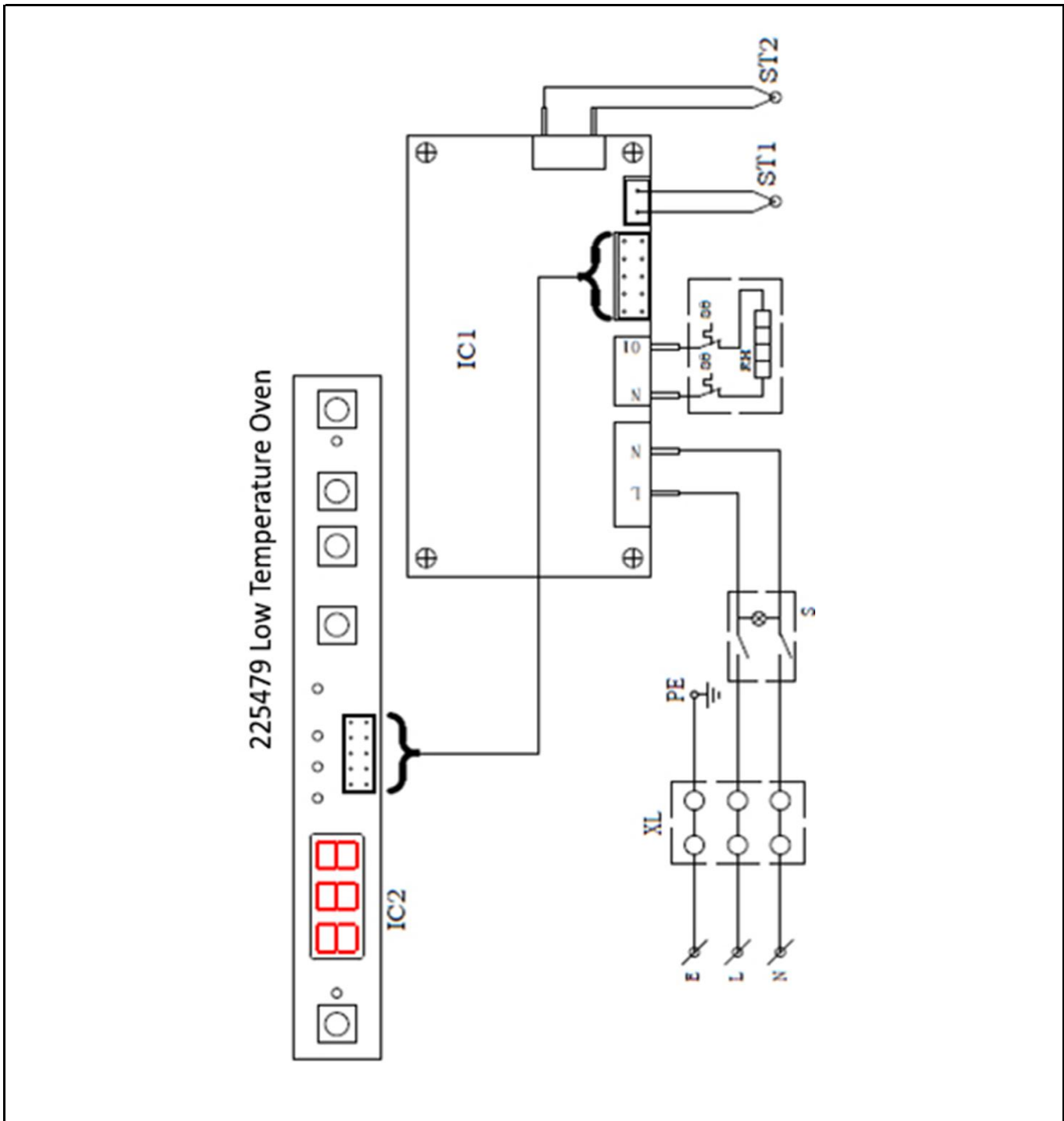
n/a -> not available

nss -> not sold separately


Circuit diagram

 HENDI FOOD SERVICE EQUIPMENT Hendi B.V. Steenoven 21 3911 TX Rhenen The Netherlands	Batch #	Appliance part#
	0000000	225479
	Description	
	Low temperature oven	

Date	03-07-2015	Revision #	Revision version
Revision	First bill of materials (BOM)		



Wiring diagram

 <p>Hendi B.V. Steenoven 21 3911 TX Rhenen The Netherlands</p>	Batch #	Appliance part#
	0000000	225479
	Description	
	Low temperature oven	

Date	03-07-2015	Revision #	Revision version
Revision	First bill of materials (BOM)		

